



PERFORMANCE CURVES

DAB PUMPS S.p.A.
Via Marco Polo, 14 - 35035 Mestrino (PD), Italy
Tel. +39 049 5125000 - Fax +39 049 5125950
www.dabpumps.com

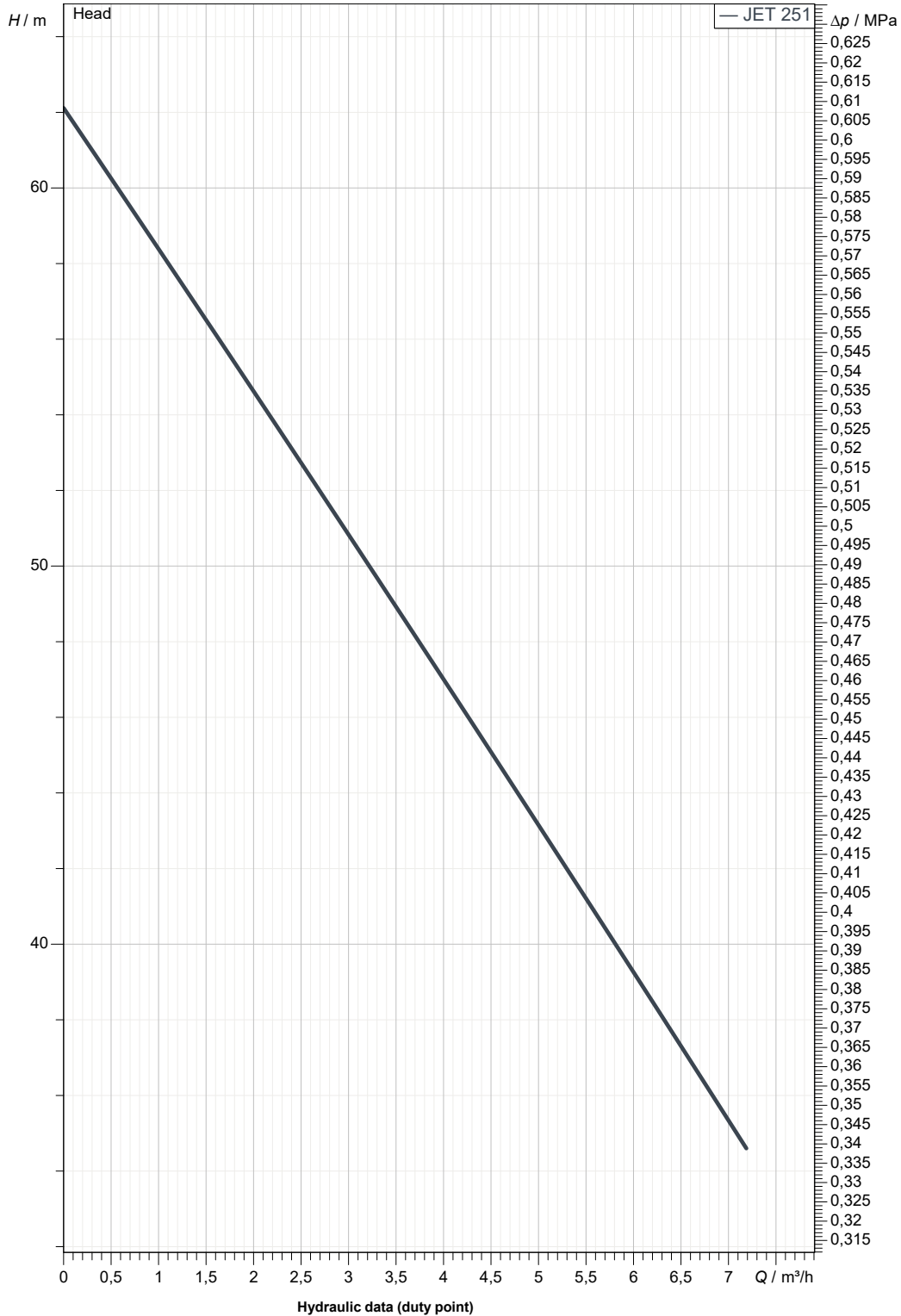
2023-07-13

Page 2 / 3

	Receiver	From
Company Reference Address Phone Fax E-mail		

JET 251 M

Curve tolerance according to ISO 9906



Suction side : 1" 1/4 G 0,8 MPa	Discharge side : 1" G 0,8 MPa	Flow :	Head :	Rated speed : 2.800 1/min
---------------------------------------	-------------------------------------	--------	--------	------------------------------

MAIN_PROJECT_TITLE	BUSINESS_PROCESS_ID	OWNER_	ISSUE_DATE 2023-07-13
--------------------	---------------------	--------	--------------------------



DIMENSIONAL DRAWING

DAB PUMPS S.p.A.
Via Marco Polo, 14 - 35035 Mestrino (PD), Italy
Tel. +39 049 5125000 - Fax +39 049 5125950
www.dabpumps.com

2023-07-13

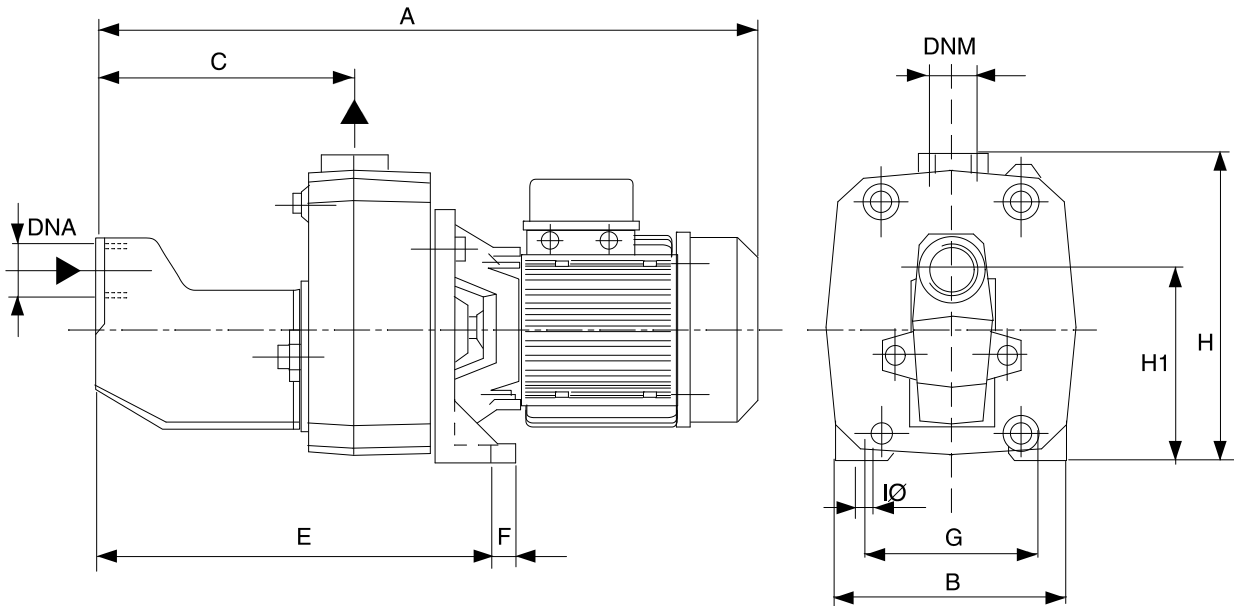
Page 3 / 3

Receiver

From

Company
Reference
Address
Phone
Fax
E-mail

JET 251 M



Dimensions in mm				Pump connection	
1	A	632			
2	B	210			Suction
3	C	221			1" 1/4 G
4	DNA	1"1/4 G			0,8 MPa
5	DNM	1" G			
6	E	350			Discharge
7	F	20			1" G
8	G	145			0,8 MPa
9	H	255			
10	H1	158			
11	I Ø	11			

MAIN_PROJECT_TITLE	BUSINESS_PROCESS_ID	OWNER	ISSUE_DATE 2023-07-13
--------------------	---------------------	-------	---------------------------------